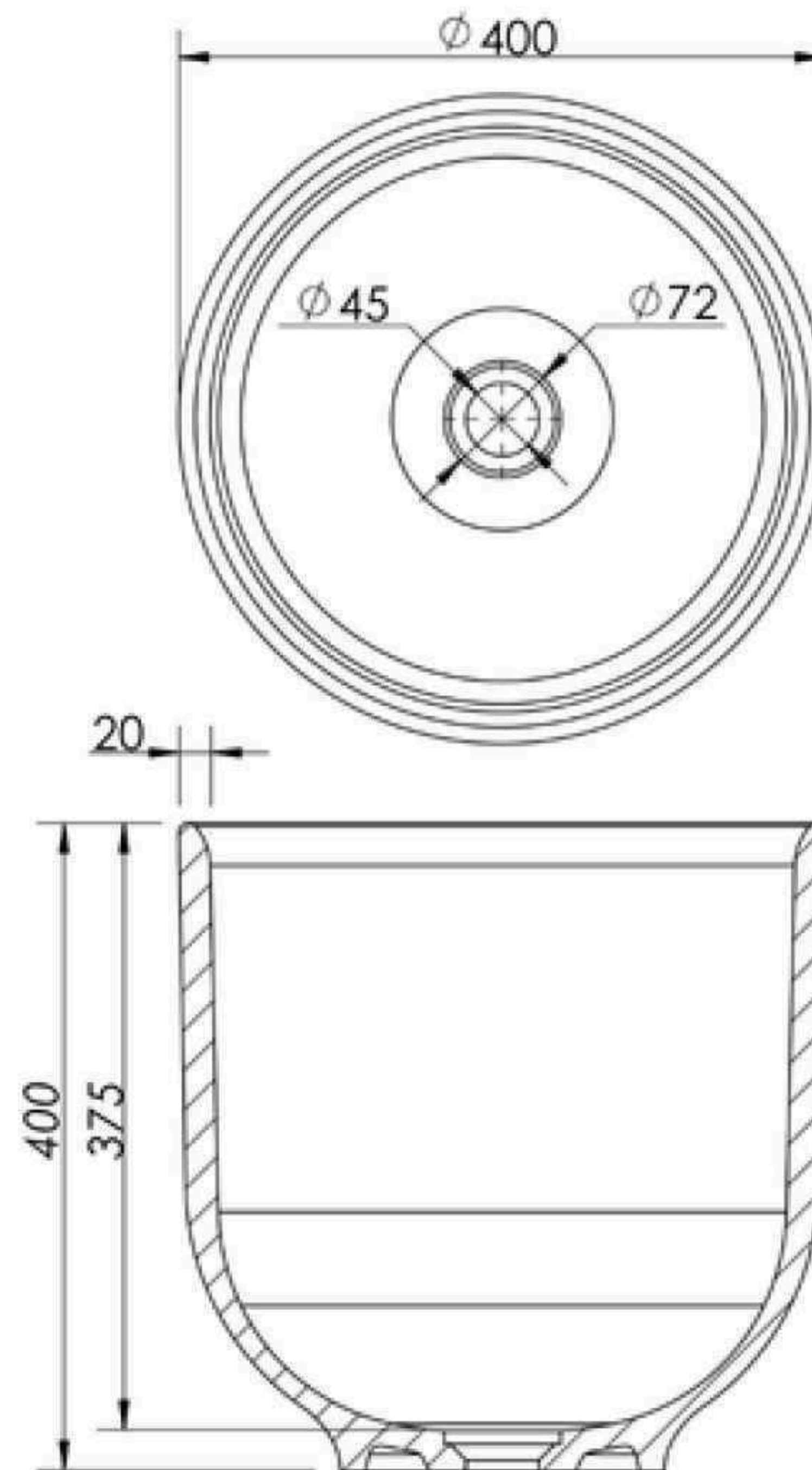


HALO



A bold yet refined statement piece, the Halo Basin features a deep, cylindrical form with softly rounded edges. Its elevated design creates a sense of balance and presence, bringing a sculptural, modern aesthetic to any bathroom. Available in a range of colours to complement your space.



Pietra Bianca Stone

Our above-counter basins are crafted from an eco-friendly, non-porous composite stone made from a unique blend of reclaimed marble, limestone, and engineered resins. The material is durable, smooth to the touch, and resistant to stains and moisture.

Available in a range of speckled and solid colours. Custom colours are available as a special order.

Approximate weight: 10kg

Product Size: Ø400x400 Product Code: PB8015

5 YEAR RESIDENTIAL MANUFACTURER'S WARRANTY

3 YEAR COMMERCIAL MANUFACTURER'S WARRANTY

1 YEAR OUTDOOR MANUFACTURER'S WARRANTY

+ Pietra Bianca offers an optional complimenting matching stone drain cover at an additional cost.