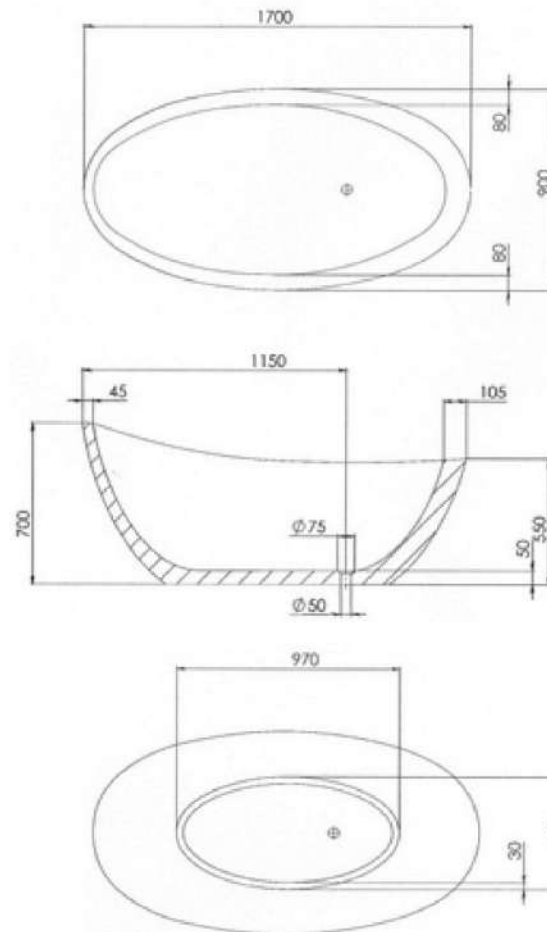


# AUTUMN



The Autumn freestanding bath features a fluid, sculptural form with soft curves, clean lines, and a generous rimmed edge. Designed to make a statement, it brings a refined sense of luxury and elegance to any bathroom while offering a comfortable and indulgent bathing experience.



WHITE MATTE	WHITE ONYX	MALIBU	MALIBU SOLID
IVORY		OCEAN SPRAY	OCEAN SPRAY SOLID
PEBBLE	PEBBLE SOLID	FOREST FERN	FOREST FERN SOLID
VANILLA BEAN	VANILLA BEAN SOLID	MATCHA	MATCHA SOLID
SANDSTONE	SANDSTONE SOLID	WHISPER GREY	WHISPER GREY SOLID
BUTTERSCOTCH	BUTTERSCOTCH SOLID	ASH GREY	ASH GREY SOLID
BISCUIT	BISCUIT SOLID	STORM GREY	STORM GREY SOLID
MISTY SMOKE	MISTY SMOKE SOLID	LIQUORICE	LIQUORICE SOLID
MUSHROOM	MUSHROOM SOLID	GREY ONYX	
TERRACOTTA	TERRACOTTA SOLID	CHARCOAL	
COCO BROWN	COCO BROWN SOLID	BLACK	

## Pietra Bianca Stone

Our freestanding bath tubs are crafted from an eco-friendly, non-porous composite stone made from a unique blend of reclaimed marble, limestone, and engineered resins. The material is durable, smooth to the touch, and resistant to stains and moisture.

Available in a range of speckled and solid colours. Custom colours are available as a special order.

**Approximate weight: 145kg**

Product Size: 1700mm    Product Code: PB4097-17

<b>5</b> YEAR RESIDENTIAL MANUFACTURER'S WARRANTY	<b>3</b> YEAR COMMERCIAL MANUFACTURER'S WARRANTY	<b>1</b> YEAR OUTDOOR MANUFACTURER'S WARRANTY
---	--	---

+ An optional overflow and matching stone drain cover are available at an additional cost. These are special order items and must be ordered at time of purchase.